



shading solutions | Sivoia QED® **230 V** overview



At Lutron, our belief in innovation has made us the world leader in light control.

Lutron pioneered the invention of the first solid-state dimmer in 1961 and the invention of the first ultra-quiet precision-controlled roller blind in 2000. Our innovative approach to design and our commitment to pushing the boundaries of convention have made Lutron the first choice for the finest residences and buildings in the world.

Lutron lighting controls are present on projects around the globe, from the spectacular St. Paul's Cathedral in England to the incredible Beijing headquarters of the Bank of China.

Lutron holds over 250 patents and manufactures more than 15,000 products. For over 40 years, Lutron has exceeded the highest standards of quality and service. Every one of our products is quality-tested before it leaves the factory to ensure the highest level of reliability.

Our belief in delivering value to the customer is what has kept us strong. Lutron thrives because it delivers regional, specialised service on a global scale and engineers solutions to meet the unique needs of each customer.

With a full line of shading solutions, Lutron has opened a new world of possibilities by seamlessly integrating electric and daylight control with a focus on innovation, world-class engineering, and customer service. Lutron blends technology with design and environmental sensitivity to provide the ideal solution for total light control.



Unilever Building, London



private residence, France



Bank of China, Beijing



Table of contents

Sivoia QED quiet electronic drive	02	System overview	12
Product families	03	seeTouch® keypads	14
Roller blind overview	04	Keypad colour options.....	15
Fabric specification	06	Total light control residential	16
The Gallery Collection by Lutron®.....	08	Total light control commercial.....	18
Sivoia QED skylight shade	09	The Lutron difference.....	20
Curtain track system.....	10		



Sivoia QED electronic drive unit

Sivoia QED (quiet electronic drive) offers ultra-quiet, precision control of roller blinds, curtain tracks, and skylight blinds. This intelligent, low-voltage system provides smooth, uniform movement, consistent alignment of multiple blinds, and superior performance.

Elegant Lutron® wall controls make it simple and convenient to operate window treatments, and Sivoia QED systems can seamlessly integrate with other Lutron lighting controls for total light control in a space.



Intelligent processor affords two-way communication for flexibility, programming, and integration with Lutron lighting controls.

Precision motor and gear design ensures ultra-quiet operation and smooth, even movement.

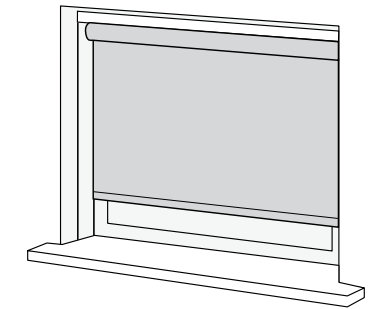


Roller blinds

The roller blind system can seamlessly integrate with Lutron® lighting controls to provide total control of light in any space. It can also integrate with other systems, such as security or climate control, to maximise the efficiency and versatility of any room or building.

Sivoia QED roller blinds offer:

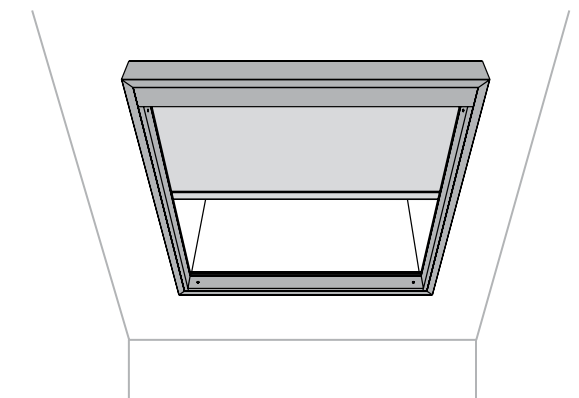
- Ultra-quiet operation
- Uniform precision movement of multiple blinds
- Minimal, symmetrical light gaps
- Convenient one-touch control from elegant keypads or intuitive handheld remotes



Skylight blinds

The new skylight blind combines Sivoia QED technology with a new patent-pending tension system. Fabric is kept taut and parallel to skylight regardless of slope. Reliably control daylight through skylights to enhance the visual environment and save energy by reducing heat gain.

- Inside, recessed, and outside mounting options allow system to fit any application
- Light blocking fascia eliminates gaps around fabric when closed
- Pre-assembled shipping available to maximise installation convenience

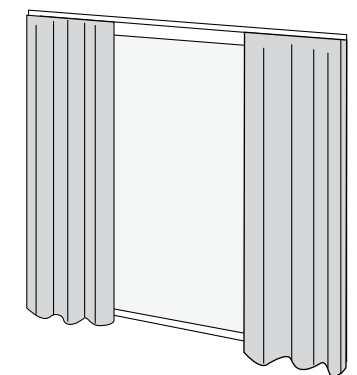


Curtain track systems

In addition to roller blinds, the Sivoia QED line also includes curtain track systems for pinch-pleat and ripplefold curtain panels.

The Sivoia QED curtain track system offers:

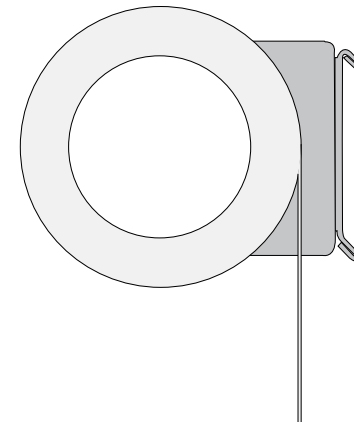
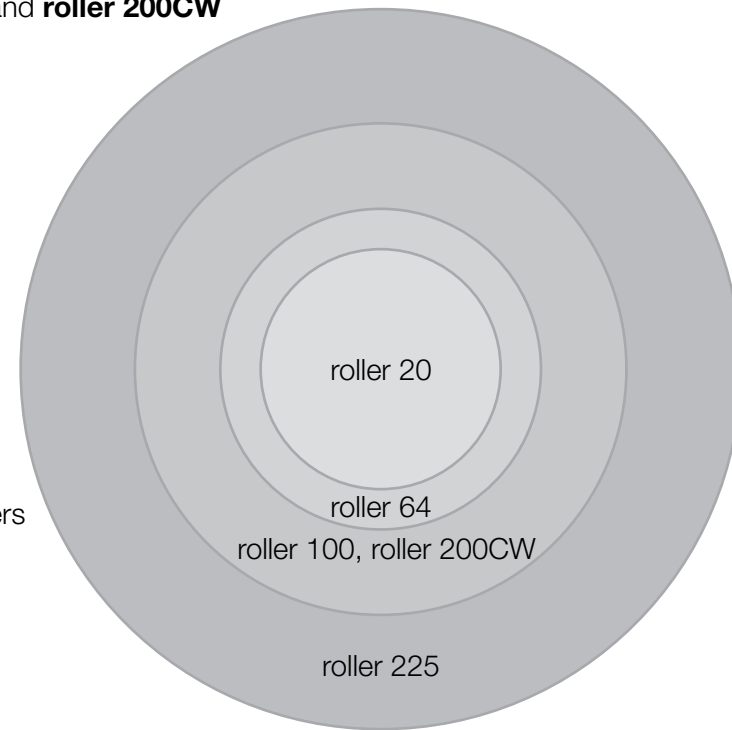
- Quiet, precise control
- Left-, right-, and centre-draw curtain
- Single or dual curtain tracks available
- Straight and custom-curved tracks





roller 225™
roller 100™ and roller 200CW
roller 64™
roller 20™

Actual size
 tube diameters



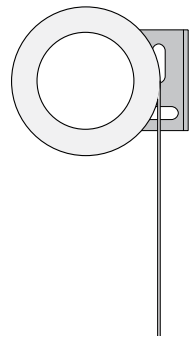
roller 100™
 Designed for windows approximately 3048 mm wide

Tube size: 65 mm diameter
 Pocket size: 121 mm w x 127 mm h
 Typical maximum size: 9.29 sq. m (100 sq. ft.)

Minimum bracket-to-bracket width: 610 mm
 Maximum bracket-to-bracket width*: 3048 mm

roller 200CW
 Features gradual movement for large blinds and coupling capability for up to 6 fabric panels

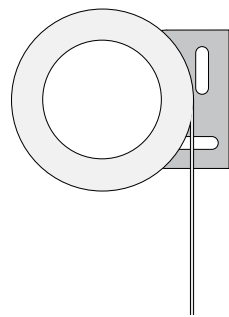
Tube size: 65 mm diameter
 Pocket size: 121 mm w x 127 mm h
 Typical maximum system size*: 18.6 sq. m (200 sq. ft.)
 (up to 6 blinds, 18.6 sq. m total)
 Minimum bracket-to-bracket width: 635 mm



roller 20
 A slim profile and narrow width ideal for shallow residential window frames

Tube size: 32 mm diameter
 Pocket size: 89 mm w x 89 mm h
 Typical maximum size: 1.86 sq. m (20 sq. ft.)

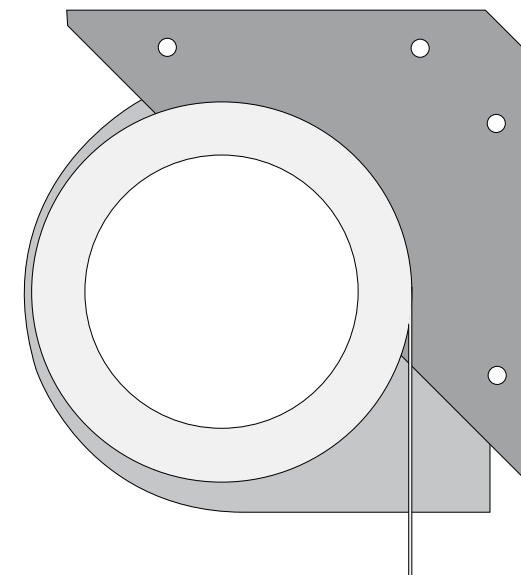
Minimum bracket-to-bracket width: 470 mm
 Maximum bracket-to-bracket width*: 1981 mm



roller 64
 Ideal for small- to medium-sized windows

Tube size: 41 mm diameter
 Pocket size: 89 mm w x 89 mm h
 Typical maximum size: 5.95 sq. m (64 sq. ft.)

Minimum bracket-to-bracket width: 470 mm
 Maximum bracket-to-bracket width*: 2438 mm



roller 225™
 Provides a heavy-duty bracket and higher torque for much larger applications, such as atriums or multi-story windows

Tube size: 95 mm diameter
 Pocket size: 178 mm w x 178 mm h
 Typical maximum size*: 20.9 sq. m (225 sq. ft.)

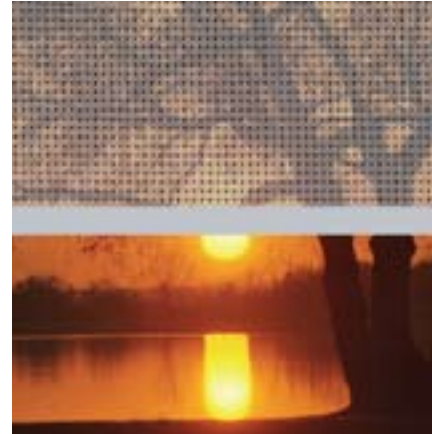
Minimum bracket-to-bracket width: 806 mm
 Maximum bracket-to-bracket width*: 4572 mm

Select the right fabric. Lutron® fabrics are grouped into three categories: SheerShade®, dim-out, and blackout. These provide varying degrees of light control and functionality.

SheerShade

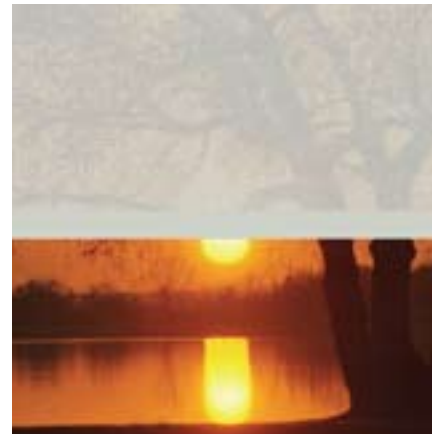
These fabrics feature open weaves, so sunlight is filtered while preserving the view. SheerShade fabrics are measured by “openness factor,” which describes the ratio of open space to fabric yarn in a weave.

SheerShade Designer™ fabrics provide more decorative weave options, such as jacquards that resemble natural woven fabrics.



Dim-out

These fabrics permit some light, but are not open weaves, so the view is limited to shapes and shadows.



Blackout

These fabrics prevent all light from passing through the material. Blackout fabrics are often combined with special side channels, top treatments, and other system components to ensure a complete light seal.



Choose the right type of fabric for each application. Consider the following needs in a space.

Maximise view

Lutron® SheerShades® reduce glare and direct solar exposure without compromising the exterior view. They are available in a range of openness factors to complement different intensities of direct light.



Reduce glare and heat gain

Many Lutron fabrics are designed to reflect as much solar radiation out and away from the window as possible to minimise the build-up of heat inside the building. In addition, the correct fabric can reduce glare, thereby improving contrast on monitors and screens.



Blackout

When desired, 100% opaque fabrics are available for applications such as home theaters, bedrooms, or conference rooms. Sivoia QED® systems can also work with side channels to ensure complete blackout.





Style meets technology

Lutron proudly introduces a new line of designer fabrics that combine style with precision control of daylight. The Gallery Collection offers a variety of colour, texture, and pattern to accent any décor.

The collection is comprised of three families — sculpted sheer, texture, and dim-out fabrics. Enjoy the convenience and precision of Lutron blinds with the beauty of The Gallery Collection. Relax knowing that the fabrics are sustainable in order to protect your health and the environment.

Reflect your lifestyle, control daylight, and enjoy style and comfort.



Sculpted sheer fabrics



Texture fabrics



Dim-out fabrics

The new skylight shade from Lutron® combines innovative Sivoia QED technology with a new patent-pending tension system. Fabric is kept taut and parallel to the skylight window, regardless of slope. Reliably control daylight through skylights to enhance the visual environment and save energy by reducing solar heat gain.

Aesthetics

- Light-blocking fascia eliminates light gaps around fabric when closed
- Concealed cable guides maximize view through skylight when open
- Wide variety of high performance fabrics to enhance décor

Design

- Unique tension-absorbing frame eliminates stress on the surrounding ceiling structure
- Reliable performance under extreme temperatures is ensured by weld- and seam-free design

Control

- Smooth, quiet, precise movement of skylight shades creates elegant transitions
- One-touch control of hard-to-reach skylight shades through keypad or IR remote
- Seamless integration with other Lutron Sivoia QED products and lighting controls

Installation

- Inside, recessed, and outside mounting options allow system to fit any application
- Pre-assembled shipping available to maximize installation convenience

For more information on the Sivoia QED skylight shade, please refer to P/N 367-1530/EA.



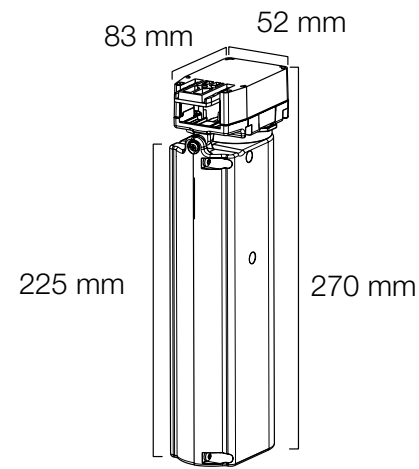
The Sivoia QED curtain track system has a slim profile, ultra-quiet performance, and capacity to operate heavy curtains (up to 47.6 kg [105 lb] with the D105 and 65.7 kg [145 lb] with the D145). The low-profile drive is hidden behind the curtains and is not visible in the installation.

Features

- One-touch control of individual or groups of curtains for fully-open, fully-closed, or preset positions
- Patented technology provides ultra-quiet operation
- Integrates seamlessly with Sivoia QED roller blinds

Options

- New manual open carrier
- Track splicing
- Curved tracks (up to 90° bends)
- Left-draw, right-draw, centre-draw, dual, and tandem systems available
- Pinch pleat or ripplefold styles
- White, bronze, and anodized aluminum tracks with colour-matched endcaps



Curtain track drive dimensions

New products and features

The Lutron® curtain track system family has been greatly expanded to provide you with a complete offering for all of your curtain needs. New curtain track drives and system features allow for longer tracks, single or multiple bend curved tracks, and even manual open capability.

New Products

Sivoia QED® D145 curtain track drive

- Carry heavier curtains (65.7 kg [145 lb] capacity)
- Control curtains on curved tracks with one or two bends

Handheld remote controls

- Conveniently control curtains from anywhere in the room with new infrared transmitters

New Features

Track Splicing option

- Allows for Lutron curtain tracks up to 9144 mm in length using the new track splicing feature (18288 mm in spliced, tandem applications)
- Receive curtain tracks in smaller packages for easy transportation to and within the installation site
- Available on finished systems

Manual Open option

- Open curtains manually without the use of power using the new Manual Open carrier

Colour-matched endcaps

- New colour-matched track endcaps match standard track colours (bronze, white, or anodized aluminum)
- Available on finished systems



Sivoia QED curtain drive



handheld remote control



track splice



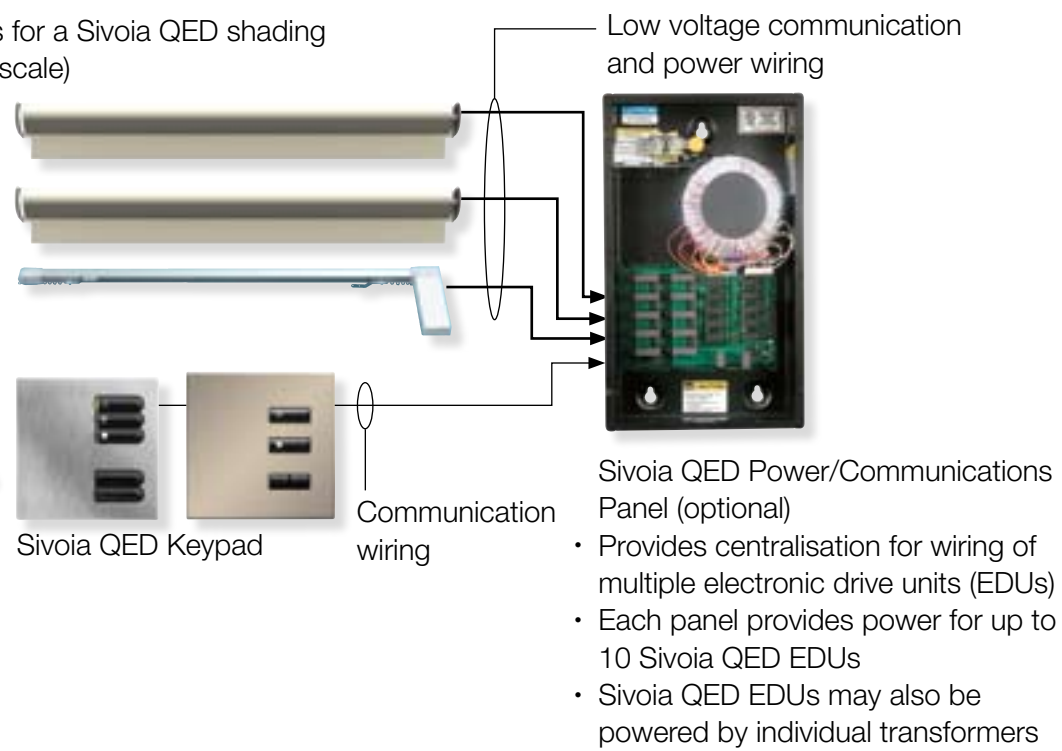
Sivoia QED system layout

Common components for a Sivoia QED shading system (not shown to scale)

Roller blinds containing electronic drive units

Curtain track containing electronic drive unit

Infrared remote (optional)



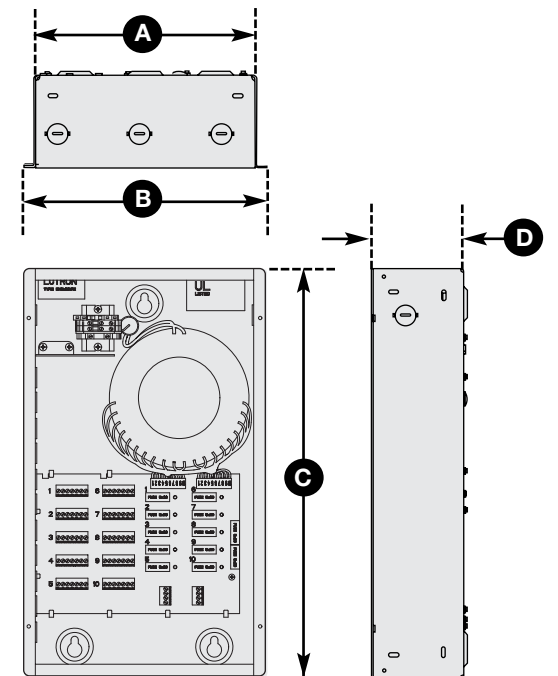
Sivoia QED power panel SVQ-10-PNL-230

- Provides power and communication wiring for up to 10 Sivoia QED drives
- Utilises a custom seven-core combination communication/power cable (SVQ-CBL-250) or specify separate power and communication wiring
- SVQ-10-PNL-230 available for 230V applications

See the Sivoia QED technical reference guide at www.lutron.com/shadingsolutions for more information.

Dimensions

- A** 241 mm
- B** 262 mm
- C** 445 mm
- D** 99 mm





Elegant seeTouch keypads complement any décor





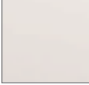







Choose from two keypad styles and 12 colours and finishes, including metals.

Sivoia QED® keypads offer ergonomic, backlit buttons for easy viewing in a darkened room. The look, feel, and finish of the keypad matches the style of Lutron HomeWorks® controls, GRAFIK Eye® systems, and Rania® dimmers and accessories, allowing for a consistent aesthetic throughout a space.

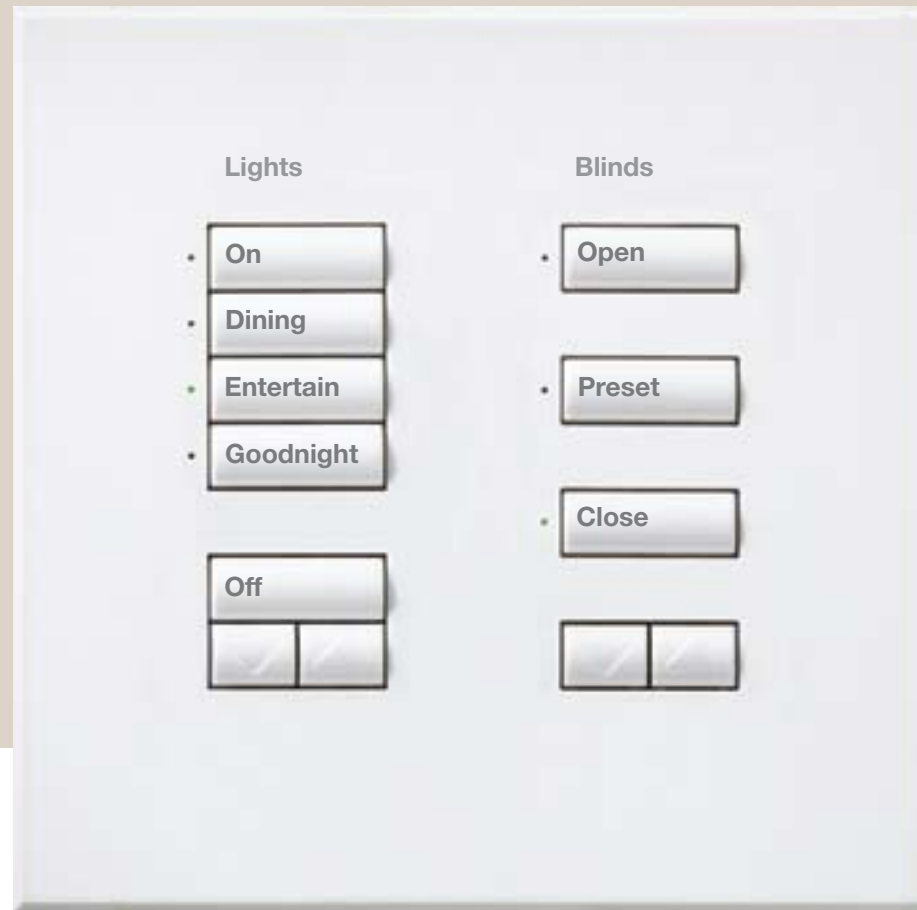


seeTouch keypad and remote (not actual size)

Colours and finishes:

				
Arctic White (AW)	Argentum (AR)	Mica (MC)		
				
Satin Nickel (SN)	Bright Nickel (BN)	Satin Brass (SB)	Bright Brass (BB)	
				
Satin Chrome (SC)	Bright Chrome (BC)	Antique Bronze (QZ)	Antique Brass (QB)	Gold Plated (AU)

Colour samples shown are representations only. See product samples for exact finishes, and ask your Lutron sales representative for colour availability.



Architectural-style keypad
(shown actual size)

Convenience and elegance

Seamlessly integrate blinds and curtains with Lutron® lighting control systems throughout the home. Adapt electric lights and daylight to the perfect level for relaxing, watching a movie, or reading a book. Manage all light using seeTouch® controls available in a wide variety of colours and finishes.

Single room

Lutron preset lighting control systems offer scene-based control of the light in any area of the home. One button can adjust lighting and blinds with subtle or dramatic transitions.

- Home theatre
- Bedroom
- Living room
- Kitchen

Whole home

Expand one-touch control to the entire home with Lutron HomeWorks® and RadioRA® lighting control systems. Integrate with A/V, security, and other home systems. Simplify daily routines, add comfort and convenience, and enhance security, all at the touch of a button.





Architectural-style keypad (shown actual size)

Flexible integration

Make a space as productive as possible with one-touch control of both electric light and daylight. Keep presentations moving smoothly with intuitive keypads. Maximise HVAC efficiency throughout an entire building with automated adjustment of blinds and lighting.

Single space

Bring integrated control of lighting, shading systems, and projection screens to presentation spaces and classrooms. Lutron® preset lighting control systems, such as GRAFIK Eye®, are simple to use and can be easily retrofitted into any space.

- Conference room
- AV presentation space
- Classroom

Whole building

Control lighting and shading throughout an entire building with Lutron building lighting controls, such as GRAFIK® systems. Lighting for restaurants, hospitality spaces, and corporate areas can be easily controlled and adjusted.

- Reduce glare and eye fatigue
- Maximise HVAC efficiency
- Increase productivity





Aesthetics

Minimal, symmetrical light gaps

Sivoia QED roller blind systems offer light gaps of 19 mm per side.

Elegant control options

Lutron® controls are designed to match the high-end look and feel of today's premier working and living spaces and are available in a wide variety of colours and finishes, including metals.

Wide array of fabrics

Lutron shading systems are available in sheer, dim-out, and blackout fabrics to suit any function or aesthetic need, including many PVC-free fabric choices.

Flexibility and performance

Limits and presets never lost

Limits and preset blind positions are electronically set and locked, providing power failure memory for up to 10 years. During this time, these limits and presets will never slip due to usage, electrostatic discharge, or power failure.

System warranty and support

Sivoia QED systems come with an 8-year limited warranty, plus optional extended service. Lutron has factory-employed field service engineers throughout the world and is the only lighting control or blind systems manufacturer in the world with a 24-hour, 7 days a week technical support center.

Control

Ultra-quiet electronic drive

The Sivoia QED® system is low-voltage and operates at a near-silent level (rated at less than 44 dBA at 1 m). Blinds move smoothly and stop at preset positions with no audible clicks.

Intelligent hembar alignment™

All blinds in a Sivoia QED system will track together and stop at programmable preset positions to within 3 mm. By utilising intelligent bottom bar alignment, roller 20™, roller 64™, roller 100™, and roller 225™ blind systems will move and track together, despite using different sized roller tubes.

Built-in infrared capability

All Sivoia QED systems ship from the factory with ready-to-receive infrared control signals via optional IR receivers at the drive or keypads.

Total light control

Lutron lighting control systems integrate with Sivoia QED blinds, offering intuitive control of both electric light and daylight.

Installation

Simple reconfiguration

The Sivoia QED system can be easily reconfigured, limits can be changed, and presets can be reprogrammed without rewiring by using the remote, keypad, or electronic drive unit (EDU).

Simplified wiring

Sivoia QED shading systems do not require any group controllers, relays, or line-voltage wiring between electronic drive units. Wiring can be simplified by using an optional Sivoia QED power panel, allowing all system wiring to be run to one convenient location.

Lutron® has been the world's leading manufacturer of lighting controls and systems for more than 45 years. With the addition of shading solutions, Lutron has opened up a new world of possibilities by seamlessly integrating electric and daylight control with a focus on innovation, world-class engineering, and customer service. Lutron blends technology with design and environmental sensitivity to provide the ideal solution for total light control.

World headquarters

Lutron Electronics Co., Inc.
7200 Suter Road
Coopersburg, PA 18036-1299
U.S.A.
TEL: +1.610.282.3800
www.lutron.com/shadingsolutions

European headquarters

Lutron EA Ltd.
6 Sovereign Close
Wapping, London, E1W 3JF
England
TEL: +44-207-702-0657
FAX: +44-207-480-6899
FREEPHONE: 0800-282-107
www.lutron.com/europe
intlshadinginfo@lutron.com

Asian headquarters

Lutron GL Ltd. - Singapore Road
15 Hoe Chiang Road
#07-03 Euro Asia Centre
Singapore 089316
TEL: +65-6220-4666
FAX: +65-6222-4333
www.lutron.com/asia
glshadingsolutions@lutron.com

Hong Kong

Lutron GL Ltd. Hong Kong
Unit 2828, 28/F
248 Queens Road East
Wanchai, Hong Kong
TEL: +852-2104-7733
FAX: + 852-2104-7633

China, Shanghai

Lutron GL Ltd. Shanghai Rep Office
Suite 7, 39th floor
Plaza 66
1266 Nan Jing West Road
Shanghai 200040
China
TEL: +86-216-288-1473
FAX: +86-216-288-1751

China, Beijing

Lutron GL Ltd. Beijing
Representative Office
5th Floor, China Life Tower
No. 16, Chaowai St.
Chaoyang District
Beijing 100020, PRC
TEL: +86-10-5877-1818
FAX: +86-10-5877-1816



www.lutron.com/europe

Barcelona | Beijing | Berlin | Hong Kong | London | Madrid | Mexico City |
Milan | Paris | São Paulo | Shanghai | Singapore | Tokyo

Technical Support Centre 1.800.523.9466
Customer Service 1.800.446.1503

© 02/2009 Lutron Electronics Co., Inc. P/N 367-1373/EA REV B